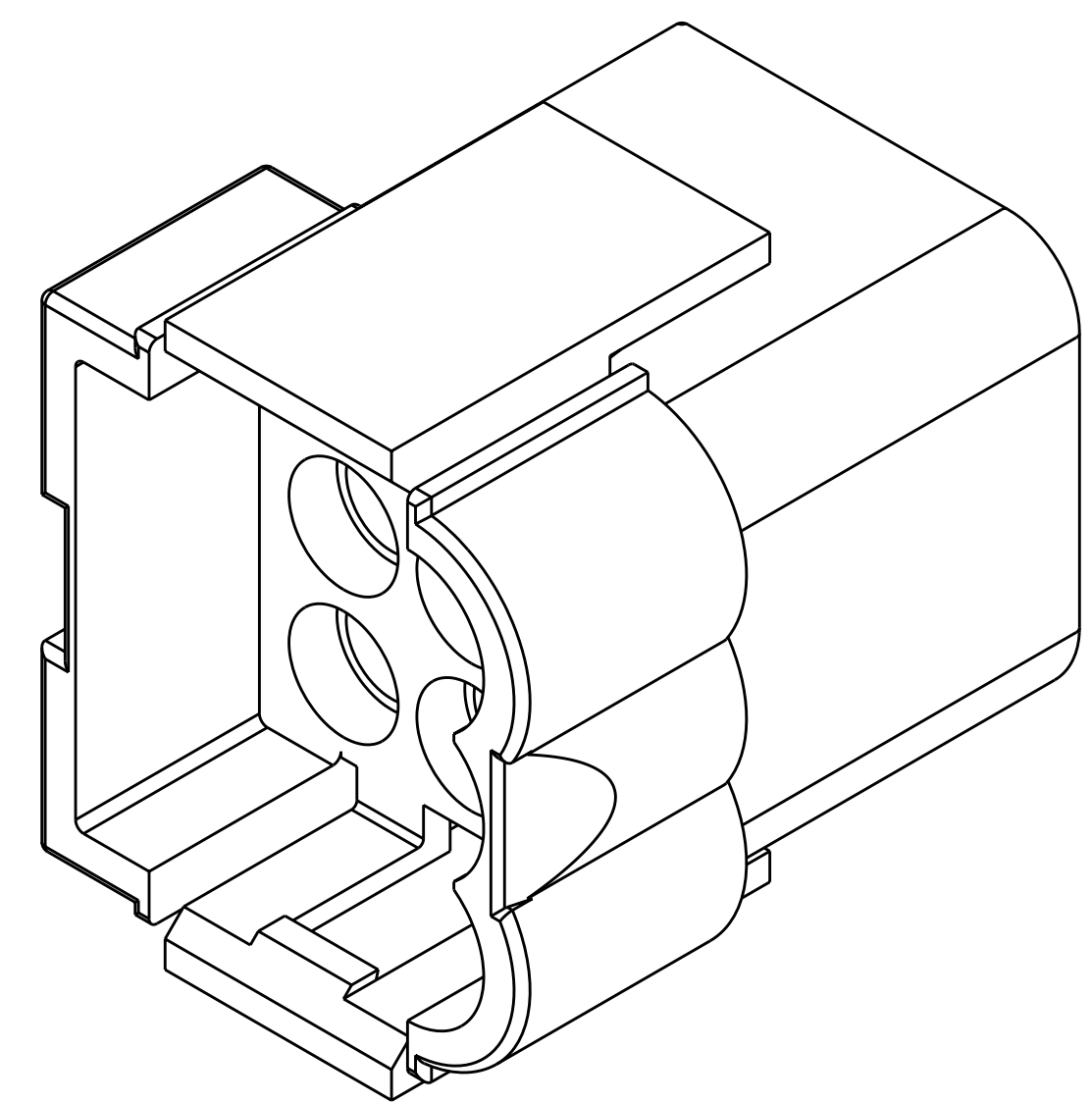
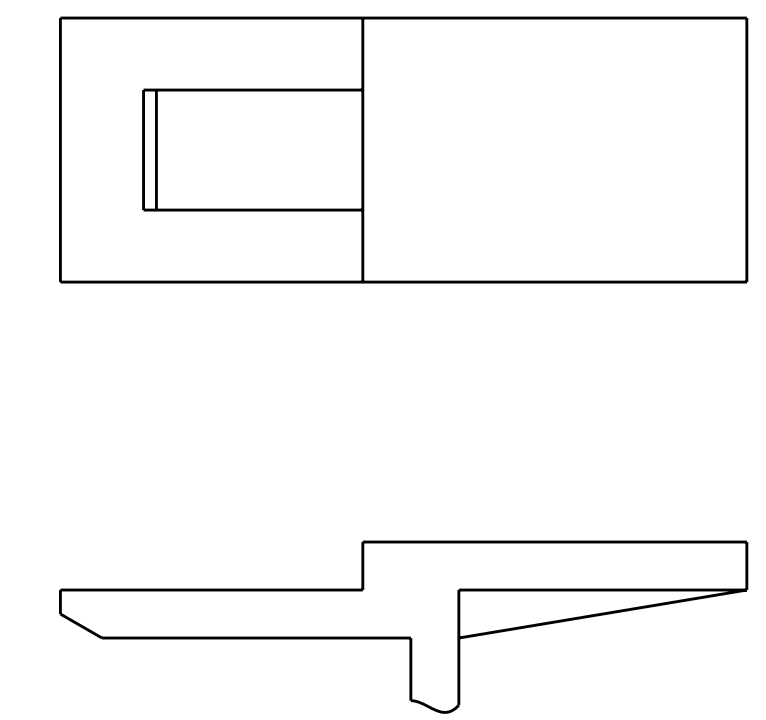
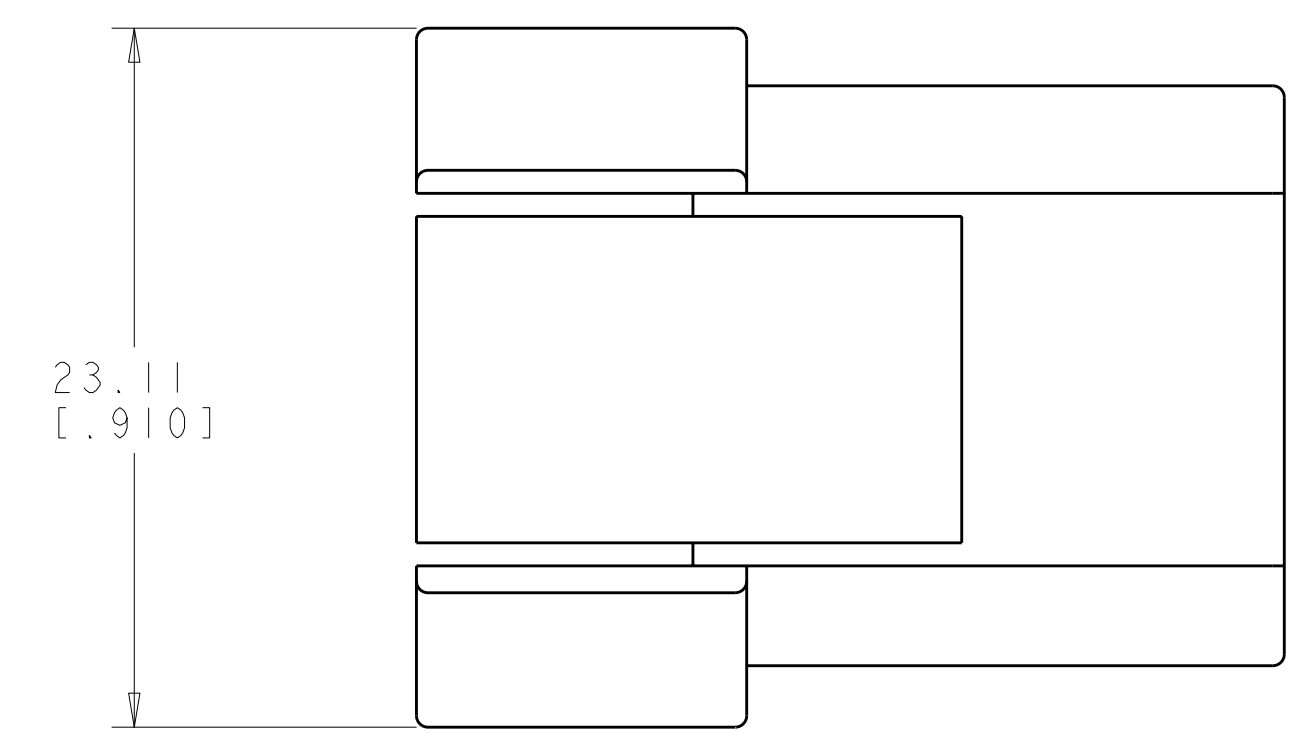
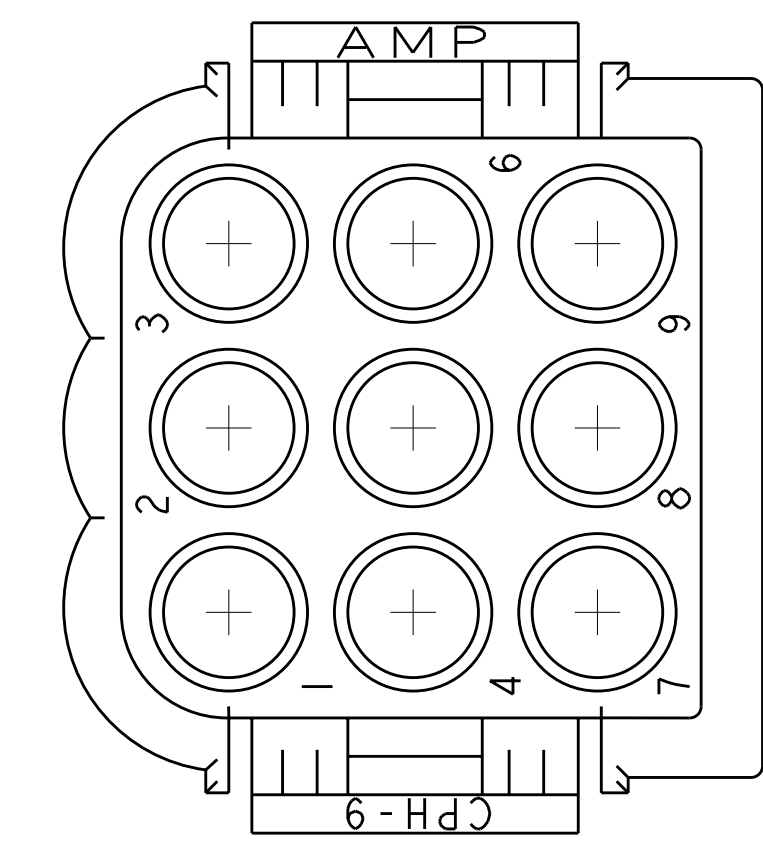
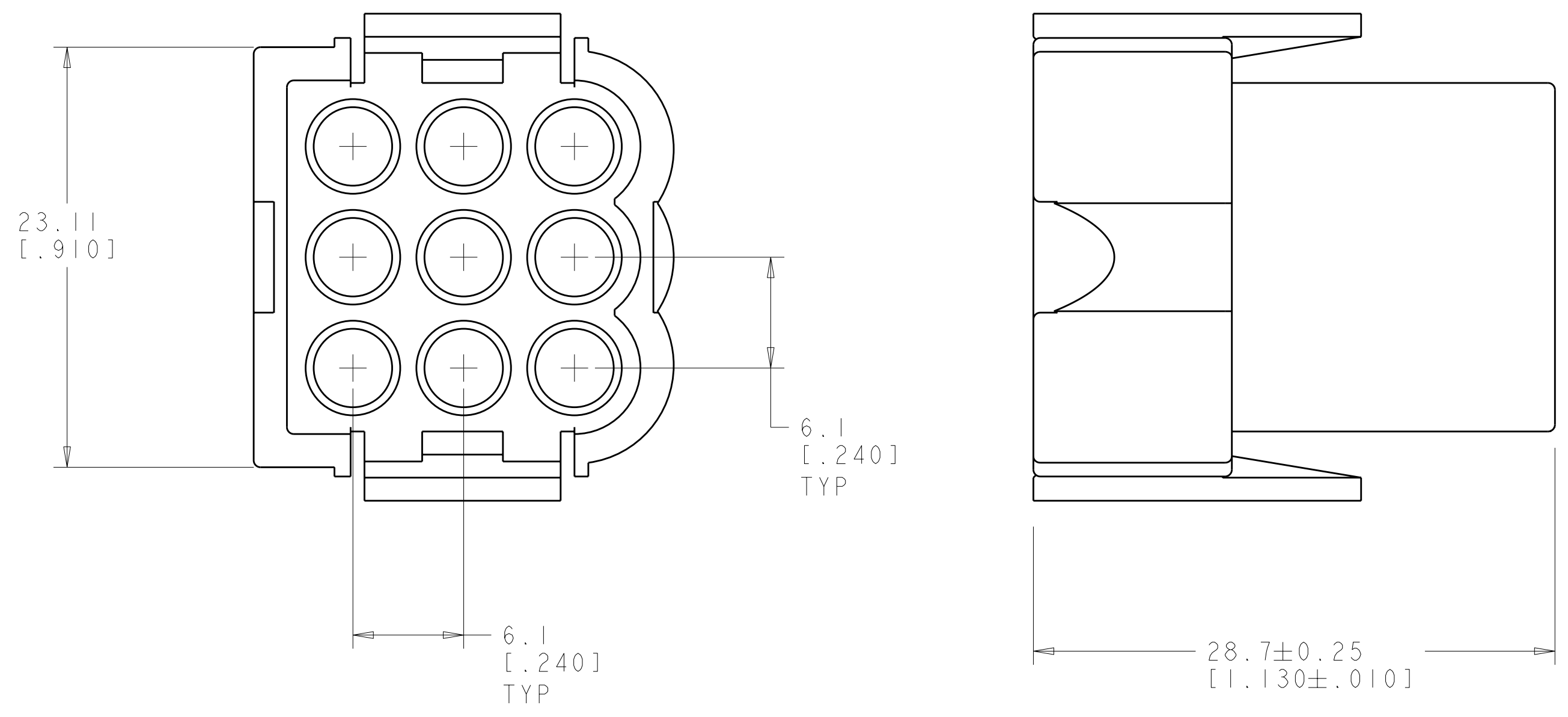


LOC	DIST	REVISIONS					
CM	00	P	LTB	DESCRIPTION	DATE	DWN	APVD
		N3		REVISED PER ECO-11-005027	18MAR2011	RK	HMR



METRIC

THIS DRAWING IS A CONTROLLED DOCUMENT.		DWN R. WHITAKER 15MAY2007	0.321 IN ³	NATURAL	1-480673-0
DIMENSIONS: mm [INCHES]		CHK C. CASH 15MAY2007	VOLUME	COLOR	PART NUMBER
TOLERANCES UNLESS OTHERWISE SPECIFIED:		APVD C. CASH 15MAY2007	TE Connectivity CAP. 9 CIRCUIT, .140 MATE-N-LOK(TM)		
9 PLC ±		PRODUCT SPEC			
2 PLC ±0.13 (1.005)		APPLICATION SPEC			
4 PLC ±		RESTRICTED TO			
ANGLES ±		WEIGHT	A100779	C=480673	
FINISH		CUSTOMER DRAWING	SCALE 4:1	SHEET 1 OF 1	REV N3